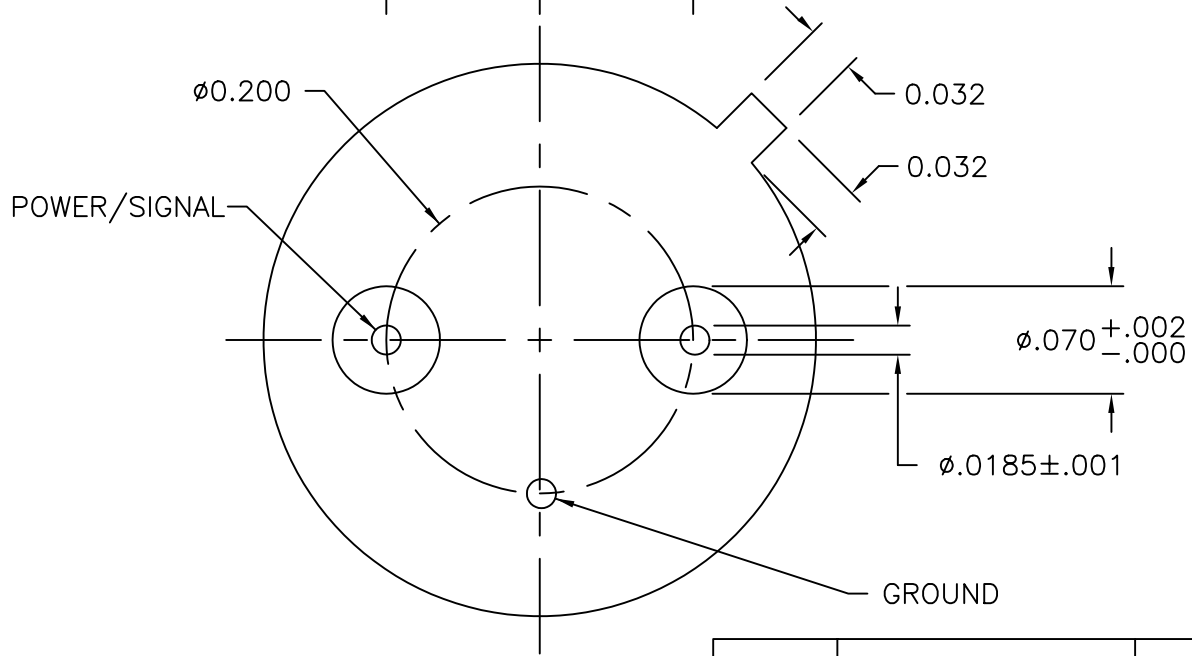
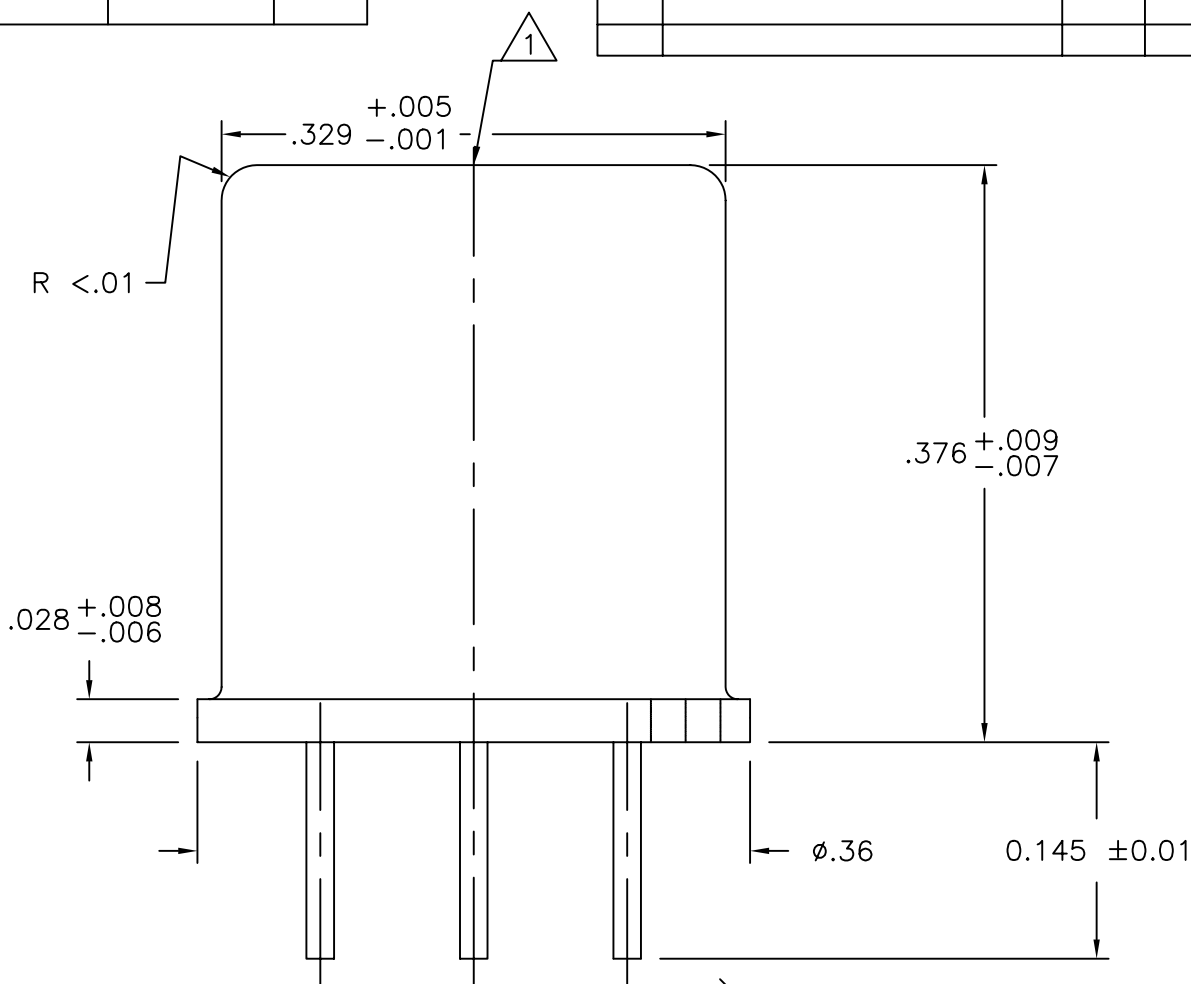


UNOFFICIAL

Oceana Sensor Technologies, Inc. claims proprietary rights in the information disclosed hereon. Neither it nor any reproduction thereof will be disclosed to others without written consent of Oceana Sensor Technologies, Inc.

APPLICATION		
NEXT ASS'Y	USED ON	VAR

REVISIONS				
REV	DESCRIPTION	ECN	DATE	APP'D



1 CONCAVE <.002

VAR	MODEL	PART NUMBER

UNLESS SPECIFIED TOLERANCES DIMENSIONS IN	
INCHES	(MILLIMETERS)
XX ±.01	XX ±.3
XXX ±.005	XXX ±.13
ANGLES ±2'	ANGLES ±2'
FILLET AND RADII .003-.005 (0.07-0.13)	

CAUTION
ELECTROSTATIC DISCHARGE SENSITIVE

TITLE: **OUTLINE DRAWING
PB SERIES
ACCELEROMETER**

OCEANA SENSOR
Wireless e-Diagnostics™

1632 Corporate Landing Parkway Virginia Beach, Virginia 23454 PH: 757-426-3678

SCALE: 8x SHEET 1 OF 1